

Overview



SITRANS P280 for flexible and cost-effective applications in pressure monitoring

- Supports the WirelessHART standard (HART V 7.1)
- Very high security level for wireless data transmission
- Built-in local user interface (LUI) with 3-button operation
- Optimum display and readability using graphical display (104 x 80 pixels) with integrated backlight
- Stand-by (deep sleep phase) can be activated and deactivated device with push of a button
- Battery power supply
- Battery service life up to 5 years
- Extend battery service life with HART modem interface which can be shut off
- Optimized power consumption through new design, and increase in battery service life.
- Simple configuration thanks to SIMATIC PDM
- Device meets IP65 degree of protection
- Can be used for absolute and gauge pressure measurements

Benefits

The SITRANS P280 is a pressure transmitter that features Wireless HART as the standard communication interface.

Also available is a wired interface to connect a HART modem:

- Flexible pressure measurements
- Save costs on wiring for difficult installation conditions. Wireless technology offers cost advantages in cases where extensive wiring cost would normally apply.
- It enables additional hitherto unfeasible measuring points, particularly for monitoring purposes.
- Easy installation on moveable equipment
- Enables cost-effective temporary measurements, for example for process optimizations.
- Optimum solution in addition to wired communication and new possibilities for system solutions in process automation

Application

The SITRANS P280 is a WirelessHART field device for measuring absolute and gauge pressure.

The measuring ranges for absolute and gauge pressure measurements are 0 to 1.6, 10, 50, 200 and 320 bar (0 to 23, 145, 725, 2900 and 4641 psi).

The sensor is integrated into the transmitter housing.

On the wireless communication side, the transmitter supports the WirelessHART standard. A HART modem can be connected to the transmitter particularly for initial commissioning, alternatively the device can be commissioned comfortably by means of the local pushbuttons w/o any additional handset devices.

It can be used in all industries and applications in non-explosive areas.

Design

The SITRANS P280 has a robust aluminum enclosure and is suitable for outside use. It conforms with the IP65 safety class.

The operating temperature range is -40 to +80 °C (-40 to +176 °F). Power supply is provided through an integrated battery, which is available as an accessory. The device is only approved for operation with this battery.

The aerial features a rotatable joint which can be used for directional alignment. Wireless signals can thus be optimally received and transmitted.

A special highlight is the option for direct operation on the device. The operating strategy used in this case seamlessly integrates into the strategy of all new Siemens field devices.

Using the device's control buttons, it is easy to turn the HART modem interface of the device on and off. The device can be put to passive status and reactivated at any time. This helps to extend the service life of the battery.

The SITRANS P280 transmitter features a ceramic measuring cell for gauge and absolute pressure measurements.

Function

The SITRANS P280 can join to a WirelessHART network. It can be parameterized and operated through this network. Measured process values are transported via the network to a WirelessHART gateway.

Field device data received by the WirelessHART-Gateway is transmitted to the connected systems, for example the process control system SIMATIC PCS 7. An introduction to the mode of operation of WirelessHART can be found in Catalog FI 01, section 8 or at <http://www.siemens.com/wirelesshart>.

Pressure Measurement

Transmitters with WirelessHART

SITRANS P280 for gauge and absolute pressure

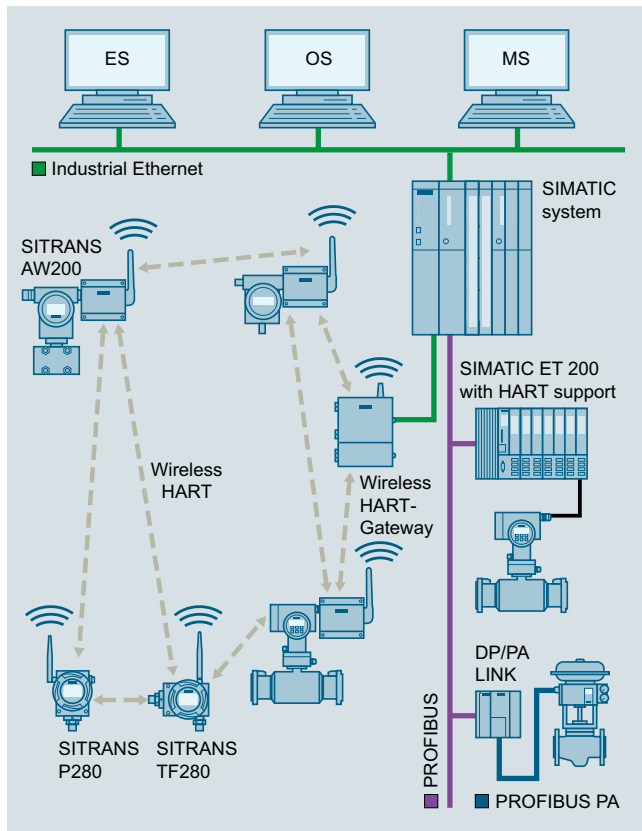
Integration

Connecting to SIMATIC PCS 7

The integration of field devices in SIMATIC PCS 7 and other process control systems can now be done seamlessly and cost-effectively with wireless technology, especially in situations where high wiring costs may be expected. Of particular interest are measuring points which are to be added and for which no MSR wiring is available.

Siemens WirelessHART devices are designed for optimum compatibility with products in the SCALANCE W range.

Where larger distances between the WirelessHART-Gateway and control systems need to be overcome, this connection can also be implemented on a wireless and cost-effective basis using the products of the SCALANCE W family.



Integration of a meshed network in SIMATIC PCS 7

Configuration

Configuration of the SITRANS P280 may be carried out as follows:

- Initial commissioning for the SITRANS P280 with SIMATIC PDM is generally carried out via a HART modem or the integrated local user interface, since the network ID and join key must be set up on the device before it can be accepted and integrated into the WirelessHART network.
- Once it is integrated into the network, the device can be conveniently operated with the WirelessHART network, the onsite HART modem or via the local user interface.
- Siemens WirelessHART devices operate with optimum coexistence to SCALANCE W family products.

Technical specifications

SITRANS P280 WirelessHART pressure transmitter

Mode of operation

Measuring principle	piezo-resistive
Measured variable	Gauge and absolute pressure

Gauge pressure input

Measuring range	Overload limit/Bursting pressure
0 ... 1.6 bar (0 ... 23 psi)	4 bar (58 psi)
0 ... 10 bar (0 ... 145 psi)	20 bar (290 psi)
0 ... 50 bar (0 ... 725 psi)	100 bar (1450 psi)
0 ... 200 bar (0 ... 2900 psi)	400 bar (5801 psi)
0 ... 320 bar (0 ... 4641 psi)	640 bar (9282 psi)
Units	mbar, bar, m4H ₂ O, i4H ₂ O, atm, Torr, gcm ² , kgcm ² , Pa, kPa, MPa, psi, mmHG, mmH ₂ O, ftH ₂ O, inHG, inH ₂ O

Absolute pressure input

Measuring range	Overload limit/Bursting pressure
0 ... 1.6 bar a (0 ... 23 psi a)	4 bar a (58 psi a)
0 ... 10 bar a (0 ... 145 psi a)	20 bar a (290 psi a)
0 ... 50 bar a (0 ... 725 psi a)	100 bar a (1450 psi a)
0 ... 200 bar a (0 ... 2900 psi a)	400 bar a (5801 psi a)
0 ... 320 bar a (0 ... 4641 psi a)	640 bar a (9282 psi a)
Units	mbar, bar, m4H ₂ O, i4H ₂ O, atm, Torr, gcm ² , kgcm ² , Pa, kPa, MPa, psi, mmHG, mmH ₂ O, ftH ₂ O, inHG, inH ₂ O

Output

Output signal	2.4 GHz Wireless signal with TSMP (Time Synchronized Mesh Protocol)
---------------	---

Measuring accuracy

as per IEC 60770-1	
Error in measurement at limit setting incl. hysteresis and reproducibility	typ. 0.17 % of sensor's span max. 0.25 % of sensor's span
Long-term stability	max. ± 0.25 % of sensor/year span
Influence of ambient temperature	typ. 0.07 %/10K, max. 0.2 %/10 K of sensor's span

Rated conditions

Ambient conditions	
• Ambient temperature	-40 ... +80 °C (-40 ... +176 °F) (in ambient temperatures below -20 °C (-4 °F) and above +70 °C (158 °F), readability of the display is limited.)
• Storage temperature	-40 ... +85 °C (-40 ... +185 °F)
• Relative humidity	< 95 %
Climatic class	4K4H in accordance with EN 60721-3-4 (stationary use at locations not protected against weather)
Degree of protection	IP65/NEMA 4
Allowable media temperature	-40 ... +85 °C (-40 ... +185 °F)

Pressure Measurement

Transmitters with WirelessHART

SITRANS P280 for gauge and absolute pressure

1

Design		Selection and Ordering data	Article No.
Enclosure material	low-copper die-cast aluminum, AC-AISI12(Fe)	SITRANS P280 WirelessHART pressure transmitter	7 MP 1 1 2 0 - 0
Shock resistance	in accordance with DIN EN 60068-2-29 / 03.95	(Required battery not included with delivery, see accessories)	
Resistance to vibration	in accordance with DIN EN 60068-2-6/ 12.07	Click on the Article No. for the online configuration in the PIA Life Cycle Portal.	
Weight		Measuring cell filling	
• without battery	1.5 kg (3.31 lb)	Dry measuring cell	0
• With battery	1.6 kg (3.53 lb)	Measuring span	
Dimensions (W x H x D)	See Dimensional drawing	Gauge pressure	
Process connection	<ul style="list-style-type: none"> G½B male thread as per EN 837-1 ½-14 NPT 	0 ... 1.6 bar (0 ... 23 psi)	D
Sensor break	Is recognized	0 ... 10 bar (0 ... 145 psi)	E
		0 ... 50 bar (0 ... 725 psi)	F
		0 ... 200 bar (0 ... 2900 psi)	G
		0 ... 320 bar (0 ... 4641 psi)	H
		Absolute pressure	
		0 ... 1.6 bar a (0 ... 3 psi a)	M
		0 ... 10 bar a (0 ... 145 psi a)	N
		0 ... 50 bar a (0 ... 725 psi a)	P
		0 ... 200 bar a (0 ... 2900 psi a)	Q
		0 ... 320 bar a (0 ... 4641 psi a)	R
		Wetted parts	
		Ceramic	K
		Display	
		Display, visible	1
		Enclosure	
		Die-cast aluminum	1
		Process connection	
		G½ as per EN 837-1	0
		½-14 NPT	1
		Explosion protection	
		Without	A
		Antenna	
		Variable, attached to device	A
		Further designs	Order code
		Please add "-Z" to Article No. and specify Order code(s) and plain text.	
		Stainless steel tag plate (measuring point description)	Y15
		max. 16 digits entered in plain text Y15:	
		Measuring point message max. 27 characters entered in plain text: Y16:	Y16
		Accessories	Article No.
		Lithium battery for SITRANS TF280/P280	7MP1990-0AA00
		Mounting bracket, steel	7MF4997-1AC
		Mounting bracket, stainless steel	7MF4997-1AJ
		Cover, die-cast aluminum, without window	7MF4997-1BB
		Cover, die-cast aluminum, with window	7MF4997-1BE
		HART modem with USB interface	7MF4997-1DB
		SIMATIC PDM	see Sec. 8
Displays and controls			
Display (with illumination)			
• Size of display	104 x 80 pixels		
• Number of digits	adjustable		
• Number of spaces after comma	adjustable		
Setting options	<ul style="list-style-type: none"> on site with 3 buttons with SIMATIC PDM or HART-Communicator 		
Power supply			
Battery	3.6 V DC		
Communication			
Radio	WirelessHART V7.1 conforming		
Transmission frequency band	2.4 GHz (ISM-Band)		
Transmission range under reference conditions	Up to 250 m (line of sight) in outside areas Up to 50 m (greatly dependent on obstacles) in inside areas		
Communication interfaces	<ul style="list-style-type: none"> HART communication with HART modem WirelessHART 		
Certificates and approvals			
Wireless communication approvals	R&TTE, FCC		
General Product Safety	CSA _{US/C} , CE, UL		
Classification according to pressure equipment directive (PED 2014/68/EU)	Gases: Fluid group 1 Liquids: Fluid group 1; meets requirements as per Section 3, Subsection 3 (sound engineering practice)		

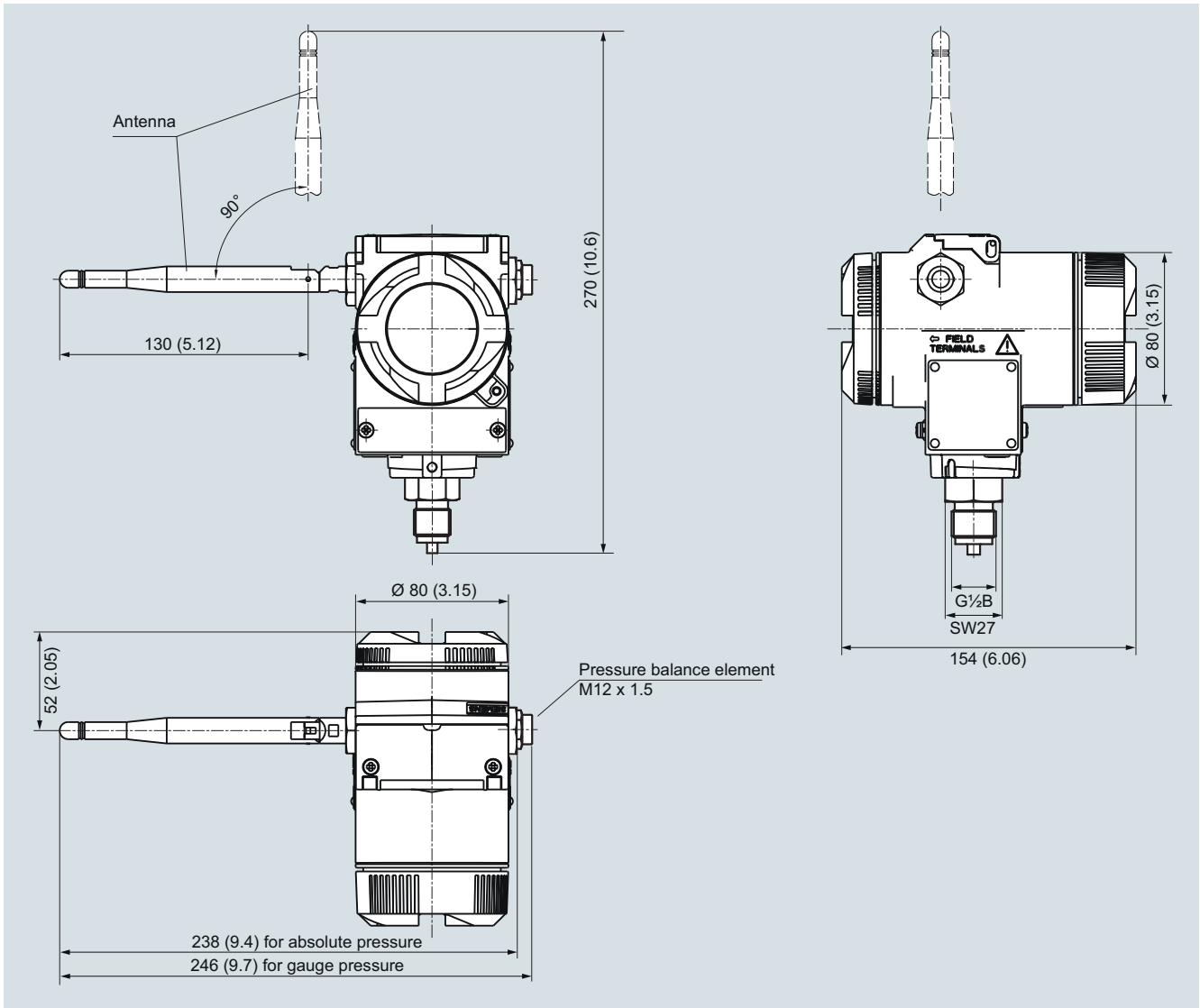
Pressure Measurement

Transmitters with WirelessHART

SITRANS P280 for gauge and absolute pressure

1

Dimensional drawings

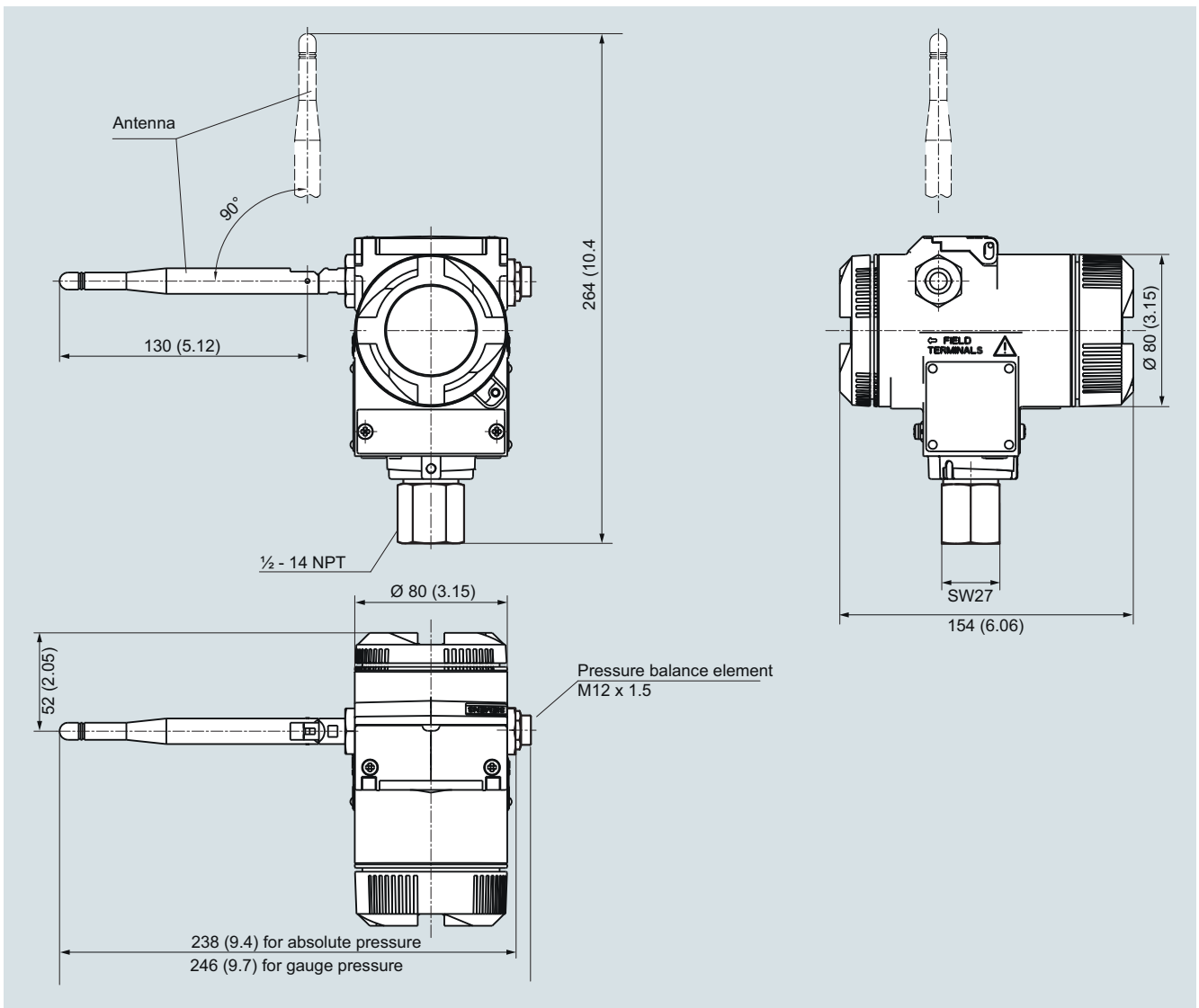


SITRANS P280 WirelessHART pressure transmitter, process connection G 1/2", dimensions in mm (inch)
The dimensional drawing of the mounting bracket see on page 1/279.

Pressure Measurement Transmitters with WirelessHART

SITRANS P280 for gauge and absolute pressure

1



SITRANS P280 WirelessHART pressure transmitter, process connection 1/2 - 14 NPT, dimensions in mm (inch)
The dimensional drawing of the mounting bracket see on page 1/279.